



Beaver Creek Analytical, LLC

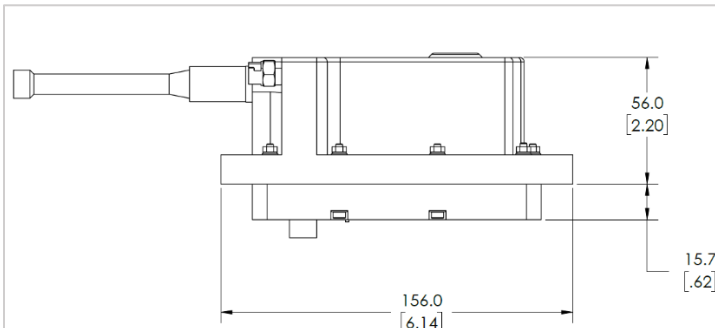
4-Channel Stream Selector

DESCRIPTION

The BCA 4-channel stream selector employs three 3-way valves connected in a serial configuration to a single outlet, allowing for the selection of up to four separate source streams. Additionally, the oil-filled vessel incorporates two exposed titanium electrodes for seawater detection and a compact piston pump to facilitate sample flow. This system enables the in-situ introduction of various samples to analytical equipment, thereby facilitating the monitoring of diverse fluid sources. Furthermore, it supports the inclusion of external standards for in situ calibrations. The seawater detection capability triggers the automatic activation of the sample pump upon submersion.

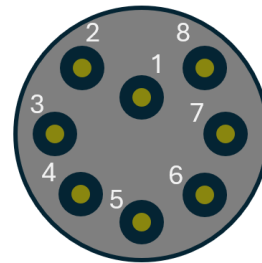
Pump Specifications

Depth Rating	<ul style="list-style-type: none"> 3000 m
Flow Rate	<ul style="list-style-type: none"> 200 mL/min max Flow is system Cv dependent, 20 mL/min is typical in a system using 1/8" tubing.
Pressure	<ul style="list-style-type: none"> 2.4 bar differential 300 bar absolute
Power	<ul style="list-style-type: none"> 24 VDC, 10 ms pulsed. 9.8 Ohm solenoid coil Diode Protected 12 VDC available on request
Wetted Materials	<ul style="list-style-type: none"> Stainless Steel, PTFE, PVDF
Filter Requirements	<ul style="list-style-type: none"> 100 mesh or finer



Valve Specifications

Depth Rating	<ul style="list-style-type: none"> 3000 m
Flow Rate	<ul style="list-style-type: none"> 0 to 30 mL/min
Power	<ul style="list-style-type: none"> 12Vdc, 3W
Wetted Materials	<ul style="list-style-type: none"> PEEK and Viton
Filter Requirements	<ul style="list-style-type: none"> 100 mesh or finer

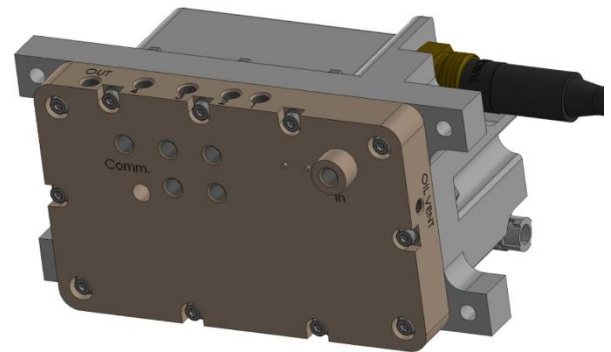


Subconn MCBH8FTI-2-20
Face View (female)

Pinout	
1	Ground
2	Valve 1
3	Valve 2
4	Valve 3
5	Pump 0V
6	Pump 24V (pulsed)
7	SW Detect -
8	SW Detect +

DESIGN

The oil-filled system incorporates an internally pressure compensation device, allowing for its deployment to extreme depths. All of the fluidic paths are fabricated from stainless steel, PEEK, PVDF, or Viton, enabling the system to be utilized in seawater without experiencing corrosion or any type of interaction with analytical species of interest.



AVAILABILITY

CAD files available on Request.

Contact: sales@bcanalytical.com

Brochure Release: 2023-4-16